



**USER MANUAL**  
**AUTOCLAVE CONTROLLER RS-485**  
**THREE VALVE**  
**MODEL NO: (SAC-200)**

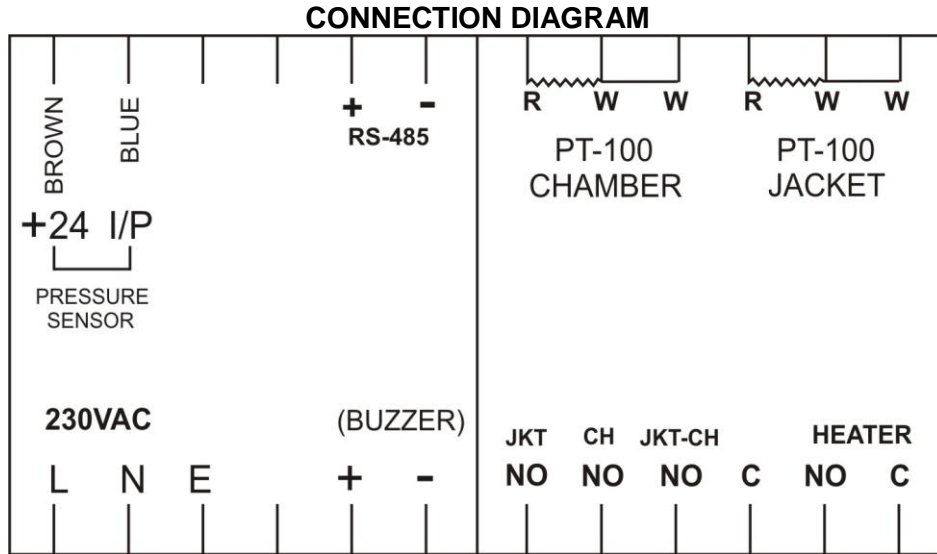
**OPERATION**

**1. SET Key : Use this key to set parameters**

Pressing the **SET** Key will scroll through following parameters.

- SET JACKET TEMPERATURE      Set point for temperature of Jacket.
- SET CHAMBER TEMPERATURE      Set point for temperature of chamber.
- STERILIZATION TIME:      Time, for which Chamber temp. is keep at set point.
- DRY TIME:      Time, for which dry cycle has to be run after soaking.
- LOG TIME:      Time interval for Data Logging.
- SET HIGH TEMPERATURE      Set Temperature
- ALARM BAND
- CHAMBER PURGING START      Start temperature for Purging.
- CHAMBER PURGING STOP      Stop temperature for Purging.
- JACKET PURGING START      Start temperature for Purging.
- JACKET PURGING STOP      Stop temperature for Purging.
- JACKET PURGING TIME      Time to open jacket release valve during Purging.
- CYCLE TIME      Cyclic On-Off Valve During Purging.
- SECOND CYCLE VALVE      ON/OFF Yes or No Selection For Jacket Release after Cycle End
- CHAMBER CONTROL ACTION      On-Off
- HYS1      Hysteresis For Chamber Transfer Control Valve.
- JACKET CONTROL ACTION      On-Off
- HYS2      Hysteresis For Heater.
- PRESSURE DP:      Decimal position for pressure reading.
- PRESSURE RANGE:      Range of reading for pressure measurement.
- PRESSURE INPUT:      For enabling pressure sensor.
- CHAMBER ERROR
- JACKET ERROR
- SET MINUTE
- SET HOUR
- SET DATE
- SET MONTH
- SET YEAR
- WELCOME MESSAGE

- 2. **DOWN KEY** : Use this key for decreasing the value of parameter.
- 3. **UP KEY** : Use this key for increasing the value of parameter.
- 4. **ENTER KEY** : Use this key to enter the current set values of parameters and return to Default Screen
- 5. **START KEY** : Use this key to start the test. Press this key for 5 seconds to start the test.



**Note:** To erase the memory stored in autoclave press both up and down key at the same time, a window is shown on screen like below table-

```
Cm 00760 : Tb 0003C
T10090  : La 0540
Sa 0050
0000
```

Then long press ENT key. After pressing a window is shown on screen like below table-

```
Cm 00000 : Tb 0000C
T10000  : La 0970
Sa 0050
0000
```